

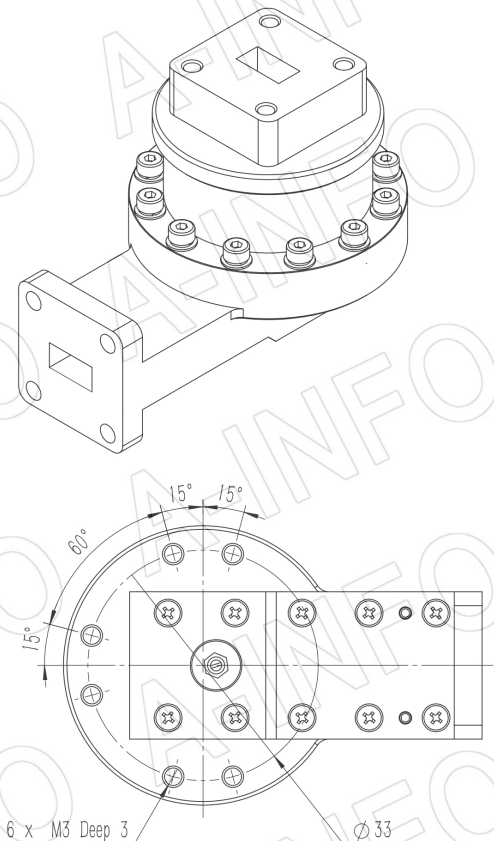
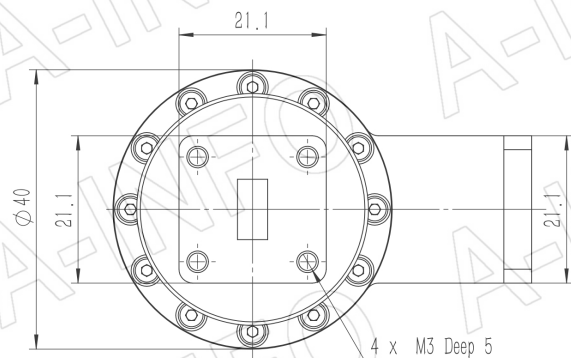
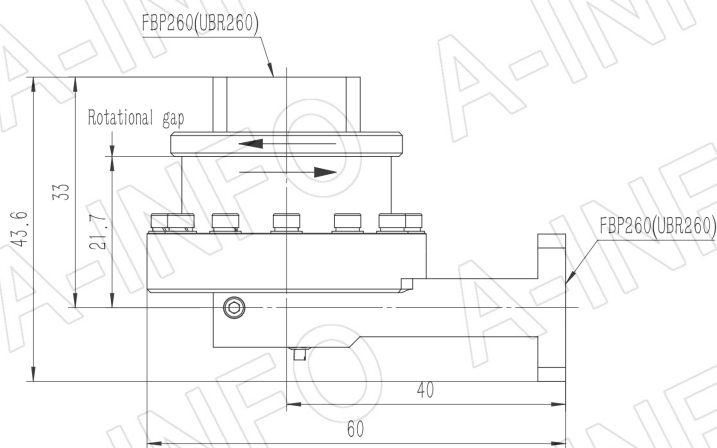
For reference only. See data sheet for the detailed specifications.

Technical Specification

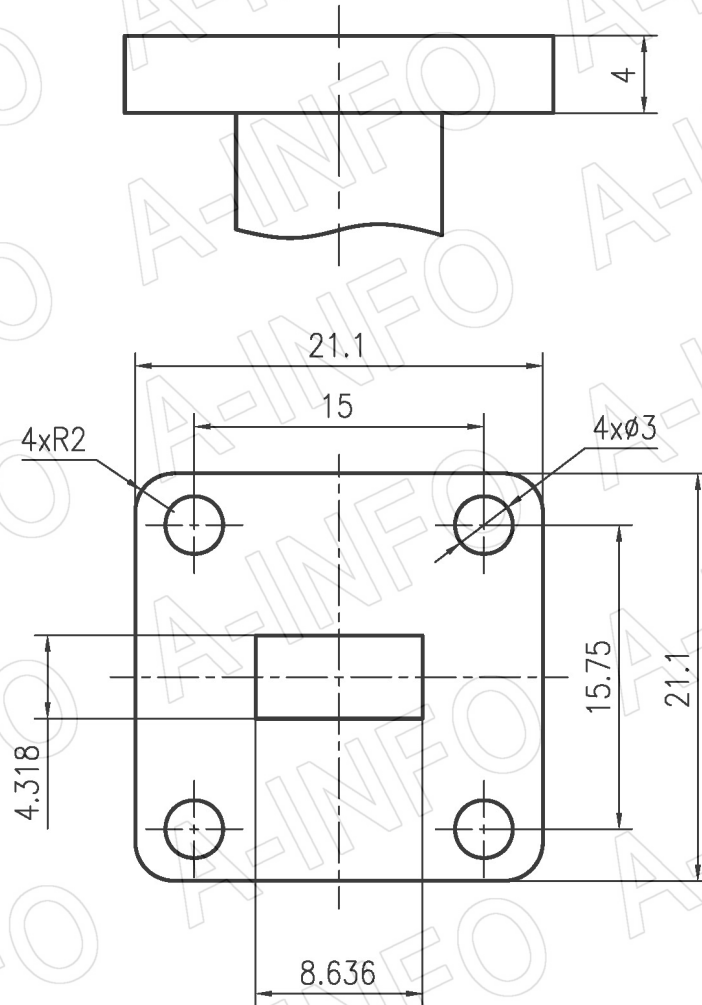


| EIA WR | WR34 |
|----------------------|----------------|
| Frequency Range(GHz) | 24.3 – 29.7 |
| Insertion Loss(dB) | 1.0 Max. |
| VSWR | 1.40:1 Max. |
| Average Power(W CW) | 30 |
| Peak Power(KW) | 0.3 |
| Flange | FBP260(UBR260) |
| Material | Cu |
| Size(mm) | 60 x 40 x 43.6 |
| Net Weight(Kg) | 0.25 Around |

Outline Drawing (Size: mm)



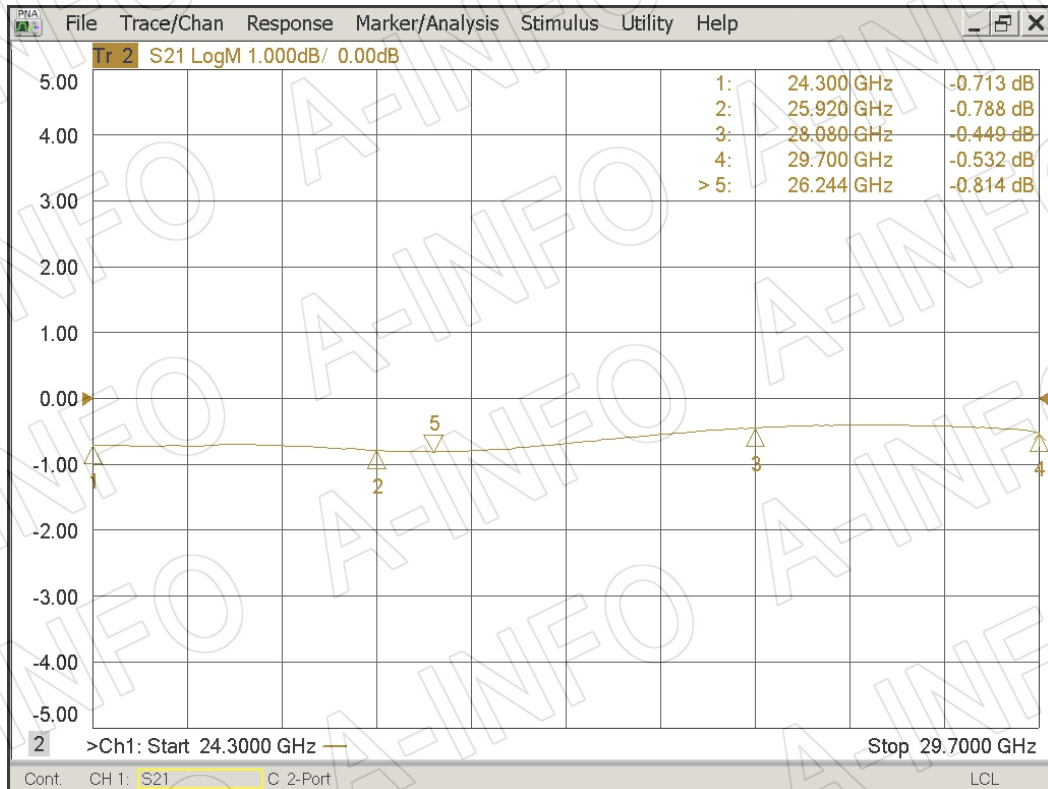
Flange Drawing (Size: mm)



FBP260

Test Results

I.L.



VSWR

